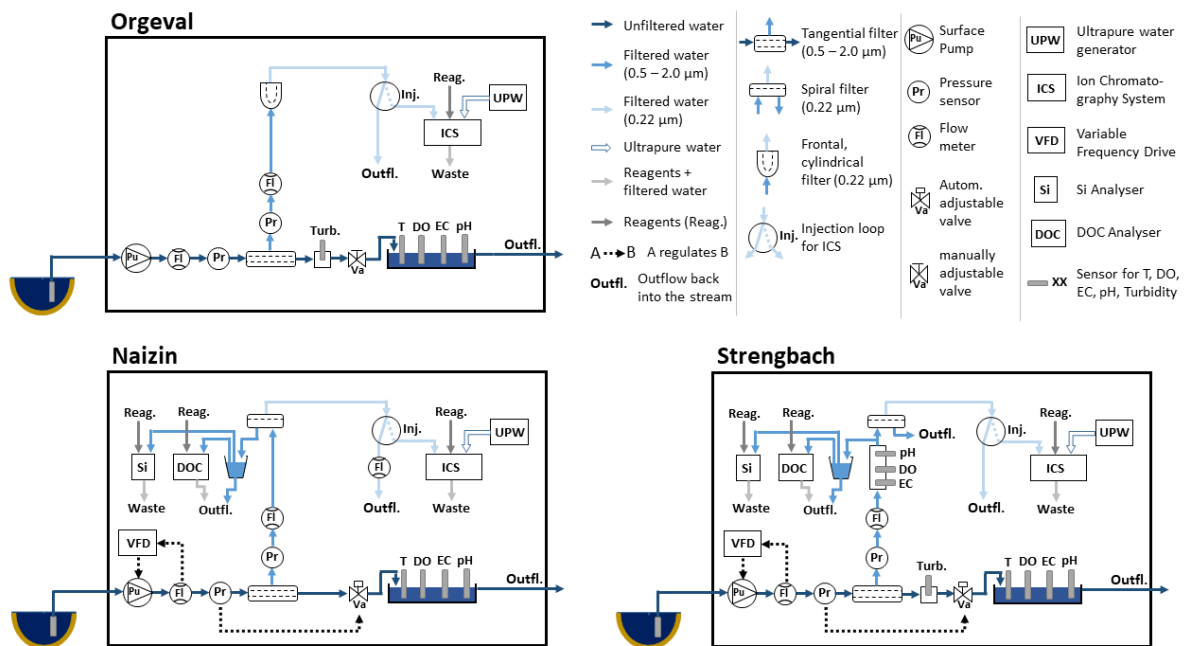


Figure 9: Data management workflow of the Critex Riverlabs and associated challenges. QC/QA: quality control/quality assurance; O₂: dissolved oxygen concentration, T°: water temperature, EC: electrical conductivity in water; [DOC]: dissolved organic carbon concentration



New Figure 1: Diagrams of the three Riverlab prototypes.